



## POWER AND VERSATILITY

The OWX-55 on-wall speaker offers performance and power in a compact design. Much like the OWX-50, the OWX-55 is the perfect choice for those who require high output from a small footprint, but in a taller vertical orientation.

A constant directivity horn and compression driver are housed within the shallow design, while the narrow profile allows additional placement options where a slimmer cabinet or significant angling is required.

With extensive output, dynamic range and consistent dispersion, the OWX-55 can be used as a screen, surround or overhead speaker, offering the benefit of positional flexibility without sacrificing performance.



OWX-55 front without grille



OWX-55 back with bracket



### Adjustable bracket

Using the included bracket, the OWX-55 can be mounted flush against the wall or at adjustable angles up to 68 degrees for optimal sound dispersion.



### High performance

A Krix constant directivity horn and compression driver deliver ultra-consistent dispersion and high output.



### Compact design

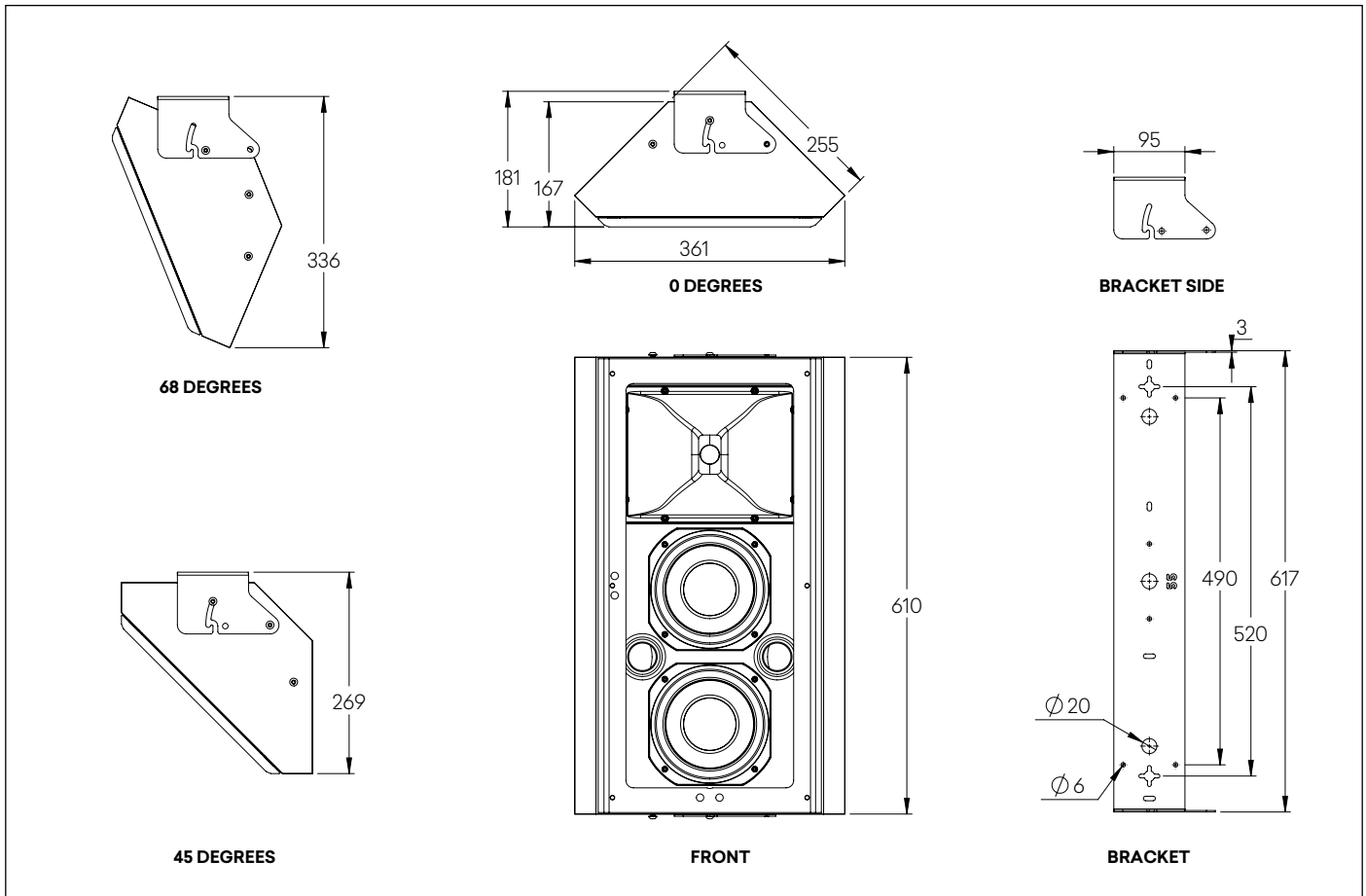
A sleek, compact and space-saving design that blends aesthetics with functionality, complete with an included grille.



### Australian made

Krix has proudly engineered and manufactured speakers in Australia since 1974.

**DIMENSIONS**



OWX - 55		ENCLOSURE AND TERMINALS	
<b>PERFORMANCE</b>		<b>ENCLOSURE AND TERMINALS</b>	
<b>Frequency range</b>	60 Hz - 20 kHz (in room response)	<b>Enclosure type</b>	Bass reflex, front vented
<b>Power handling</b>	50 - 500 Watts RMS recommended amplifier power	<b>Input terminals</b>	Nickel plated spring terminals featuring a 5mm hole to accept up to 10AWG cable
<b>Sensitivity</b>	97 dB (283V / 1m)	<b>Grille included</b>	Yes
<b>Impedance</b>	4 Ohms	<b>DIMENSIONS</b>	
<b>Configuration</b>	2-way	<b>Including grille</b>	610mm high x 361mm wide x 167mm deep
<b>Crossover point</b>	1.9 kHz	<b>Including bracket</b>	617mm high x 361mm wide x 181mm deep
<b>DRIVERS</b>		<b>WEIGHT</b>	
<b>Low frequency driver</b>	Dual 165mm (6 1/2") paper cone driver. 50mm (2") voice coil wound on high powered kapton former, with ventilated spider and aluminium flux stabilisation ring for low distortion.	<b>OWX-55 with grille</b>	14 kg
<b>High frequency driver</b>	A Krix patented, short throw constant directivity horn, coupled to a compression driver with a 1" throat 1 1/2" voice coil.	<b>Bracket</b>	1.7 kg